

# HYDRO-EXTRACTOR WITH VACUUM SYSTEM

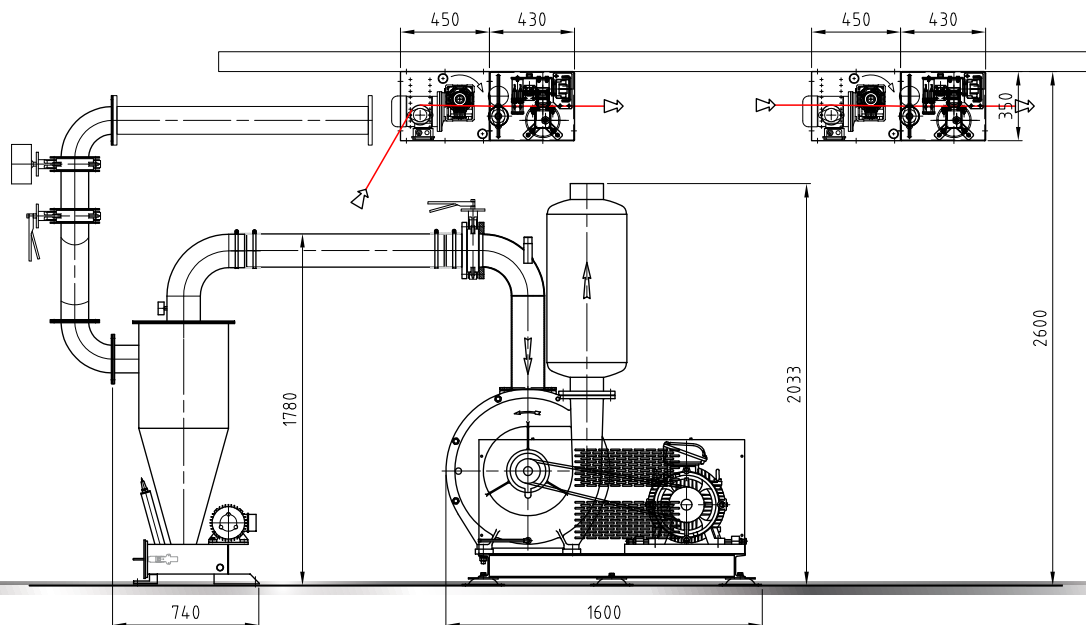
Water suction via vacuum pump for synthetic fabrics.



One or two suction tubes can be used according to application (simple suction or herringbone slot). Adjustment of the vacuum is via inverter. Dual photocell system controls height of the fabric automatically and adjusts the suction surface.

<b>overall dimensions L x H x W</b>	1000x 1350 x ( RW+1450) weight 1800Kg
<b>material</b>	stainless steel
<b>rollers width</b>	from 2000 mm to 3000 mm
<b>fabric width</b>	from 1800mm to 2800mm
<b>mechanical speed max</b>	150 m/min
<b>compressed air max</b>	6 bar
<b>voltage</b>	standard 3x400Vac – 50Hz or others on request
<b>installed power</b>	18 Kw/37Kw
<b>motorization</b>	A/C controlled by inverter
<b>ambient temperature</b>	from 0 to + 55 ° (optional A/C for electrical cabinet)
<b>operator pannel</b>	Schneider color touch-screen
<b>control PLC</b>	Schneider
<b>teleservice</b>	optional
<b>vacuum depression</b>	adjusted by inverter

# HYDRO-EXTRACTOR WITH VACUUM SYSTEM



The specification, data and drawings contained herein are purely indicative and may be subject to changes at the discretion of the manufacturer.



[www.bianco-spa.com](http://www.bianco-spa.com)